

LTM

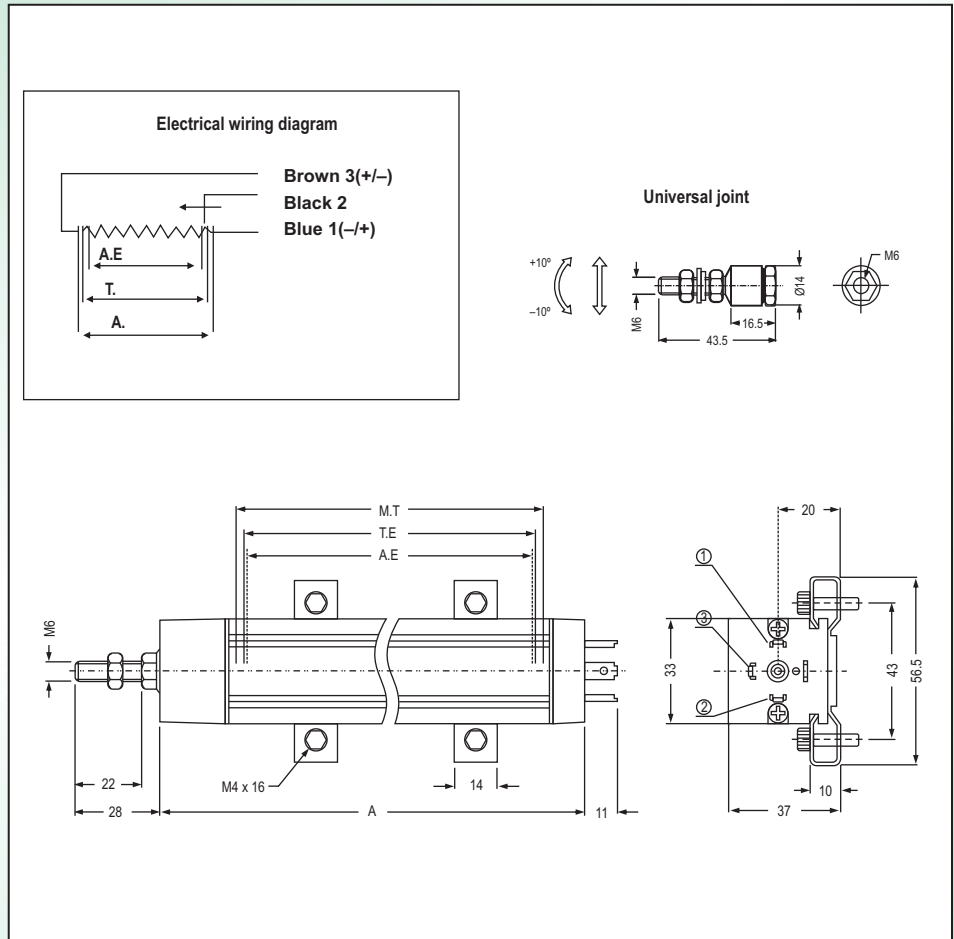


Linear Potentiometer Series LTM

- Excellent linearity
- Stroke Range 0-900 mm
- Infinite Resolution
- Easy Fixing method
- Suitable for Injection moulding machine, Blow moulding machine, Plastic processing machine, Hydraulics & Pneumatic equipment etc.

Technical data

Stroke Range (mm)	0---900
Independent Linearity	±0.05%
Resolution	Infinite
Resistance tolerance	±20%
Repeatability	0.01 mm
Life	> 25x10 ⁶ m strokes
Maximum current	≤10mA
Power consumption	3W
Maximum allowable voltage	60V
Temperature drift	<1.5ppm/°C
Insulation resistance	<100MΩ at 500v
Working temperature	-30...+100°C
Storage temperature	-50...+120°C
Maximum moving speed	≤5m/s ≤10m/s
Mobile force	≤2N IP 60



Electrical characteristics

Model		50	100	130	150	175	200	225	250	275	300	350	375	400	450	500	600	750	900
Active electrical travel (A.E)	mm	50	100	130	150	175	200	225	250	275	300	350	375	400	450	500	600	750	900
Total electrical travel (T.E)	mm	AE+5																	
Resistance	K Ω	5																	10
Mechanical travel (M.T)	mm	AE+7																	
Total shell length of A	mm	129	179	209	229	254	279	304	329	354	379	429	454	479	529	579	679	829	979