

## KTM



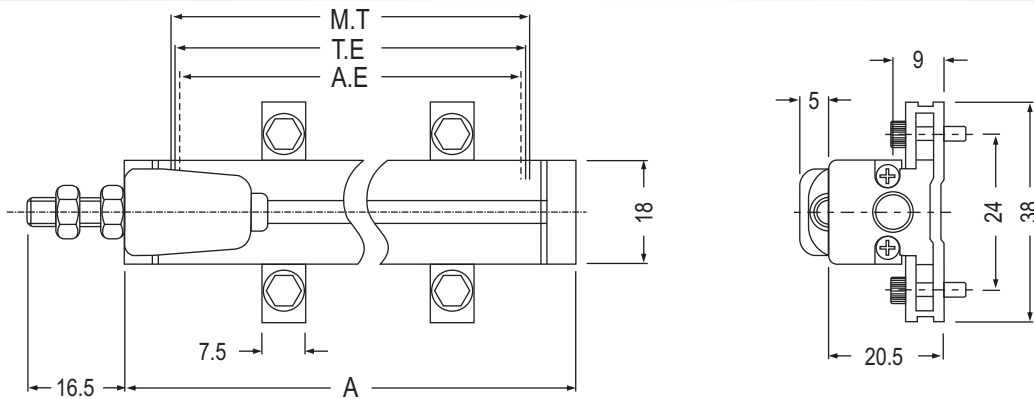
## Linear Potentiometer Series KTM

- Excellent linearity
- Stroke Range 0-200 mm
- With 1 meter shield wire
- Infinite Resolution
- Easy Fixing method
- Suitable for Injection moulding machine, Blow moulding machine, Plastic processing machine, Hydraulics & Pneumatic equipment etc.

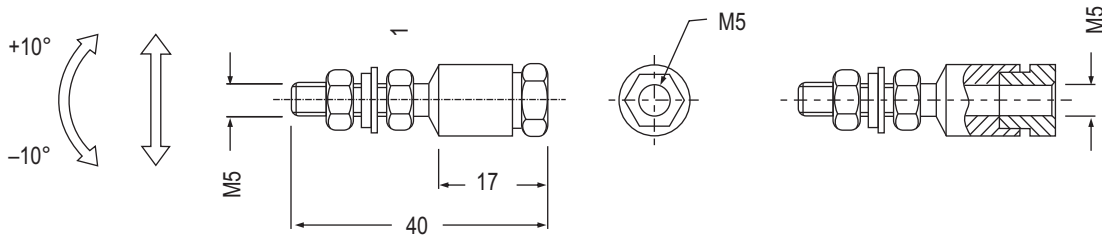
|                                |                                 |                 |    |    |    |     |     |     |     |     |     |     |     |     |     |     |     |
|--------------------------------|---------------------------------|-----------------|----|----|----|-----|-----|-----|-----|-----|-----|-----|-----|-----|-----|-----|-----|
| KTM series                     |                                 | 5               | 10 | 15 | 25 | 50  | 75  | 100 | 125 | 150 | 175 | 200 | 225 | 250 | 275 | 300 | 400 |
| Total Electrical Travel (T.E)  | mm                              | 7               | 12 | 17 | 27 | 52  | 77  | 102 | 127 | 152 | 177 | 202 | 227 | 252 | 277 | 302 | 402 |
| Active Electrical Travel (A.E) | mm                              | 5               | 10 | 15 | 25 | 50  | 75  | 100 | 125 | 150 | 175 | 200 | 225 | 250 | 275 | 300 | 400 |
| Resistance $\pm 20\%$          | K $\Omega$                      | 1.0             |    |    |    |     |     | 5.0 |     |     |     |     |     |     |     |     |     |
| Independent Linearity          | $\pm\%$                         | 0.05            |    |    |    |     |     |     |     |     |     |     |     |     |     |     |     |
| Mechanical Travel (M.T)        | mm                              | 9               | 14 | 19 | 29 | 54  | 79  | 104 | 129 | 154 | 179 | 204 | 229 | 254 | 279 | 304 | 404 |
| Output range                   |                                 | Voltage divider |    |    |    |     |     |     |     |     |     |     |     |     |     |     |     |
| Resolution                     | $^{\circ}\text{C}$              | infinite        |    |    |    |     |     |     |     |     |     |     |     |     |     |     |     |
| Temperature Range              | mm                              | -50+120         |    |    |    |     |     |     |     |     |     |     |     |     |     |     |     |
| Repeatability                  | 0.01 mm                         |                 |    |    |    |     |     |     |     |     |     |     |     |     |     |     |     |
| Life                           | >25 x 10 <sup>6</sup> m strokes |                 |    |    |    |     |     |     |     |     |     |     |     |     |     |     |     |
| Dimensions                     | mm                              | 48              | 5  | 58 | 68 | 93  | 118 | 143 | 168 | 193 | 218 | 243 | 268 | 293 | 318 | 343 | 443 |
|                                |                                 | 65              | 70 | 75 | 85 | 110 | 135 | 160 | 185 | 210 | 235 | 260 | 285 | 310 | 335 | 360 | 460 |

Dimensions for reference only, subject to change without notice

### Mechanical Dimension KTM



### Ball and socket coupling



### Ball coupling

